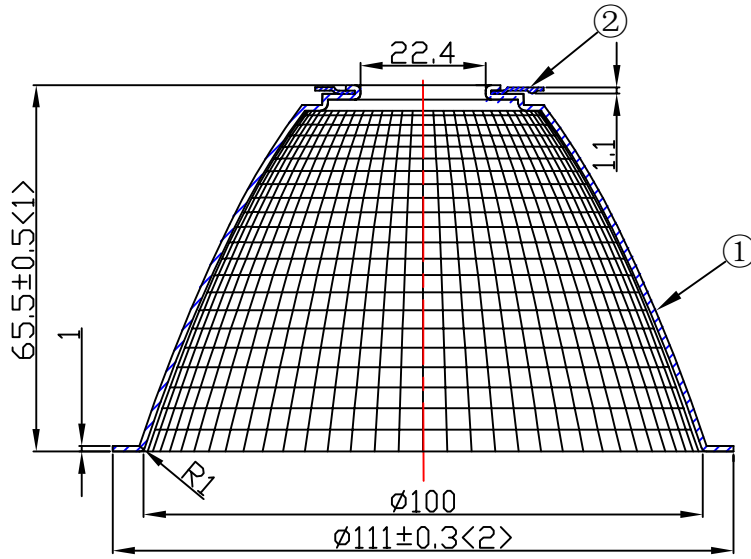
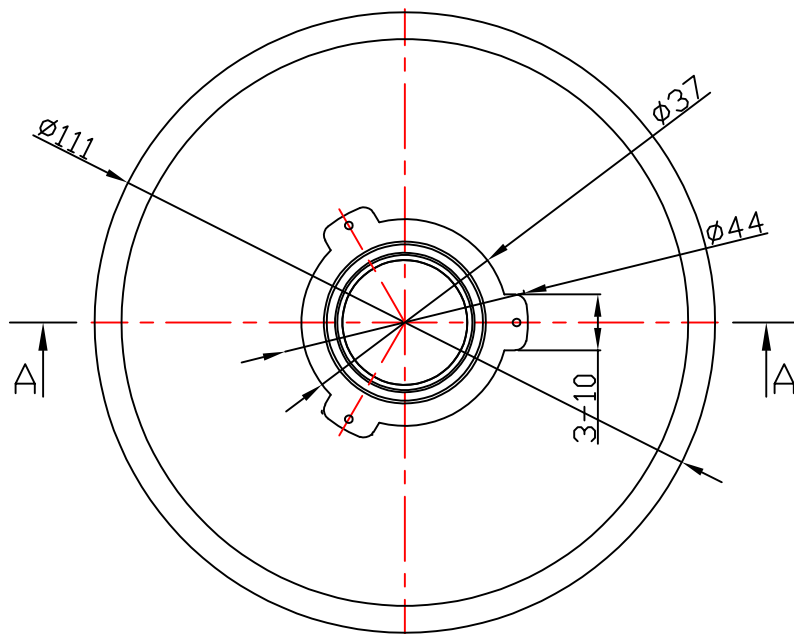


Product bill of material				
Serial number	material name	Masterial number	NO.	Describe
①	4-2314-A	94.04.2314.000	1	Material:T=1.0mm 1090AL
②	020249	97.76.249.00	1	Material:T=0.6mm SUS304

table for unmentioned tolerance in the drawing (unit: mm)			punch angle tolerance in the drawing (unit:degree)		
0-5	5-30	30-120	0-10	10-50	50-120
±0.15	±0.2	±0.5	±1°	±0.5°	±0.3°
120-250	250-400	400-700	120-250	250-360	360 above
±0.8	±1.5	±2	±0.2°	±0.166°	±0.083°



A-A



Light Source	XICATO XTM 19MM
Plastic Holder	
Metal Adaptar	
Design Angle	13 ± 3°
Measured Angle	13°

						<b>Nata®</b> <b>NATA Lighting Co.,Ltd</b>	
Mark	Amended Times	Amended Content		Signature	Amended Date	Customer Code	NT
Controll Version	A2	Design Version	K0	Client Version		Product Number	
Designer		Drawing by		Proportion	1:1	Product Name	4-1966-M
Technology		Auditor		View			
Approval		Date	2018.1.10	Page	Total_Page_		